



Longxiang Group Ltd.

We have rich experience to make garbage bin mold, with 100% make sure solve the core offset and uneven wall thickness problem



2018-03-28



Longxiang Group Ltd.



2018-03-28



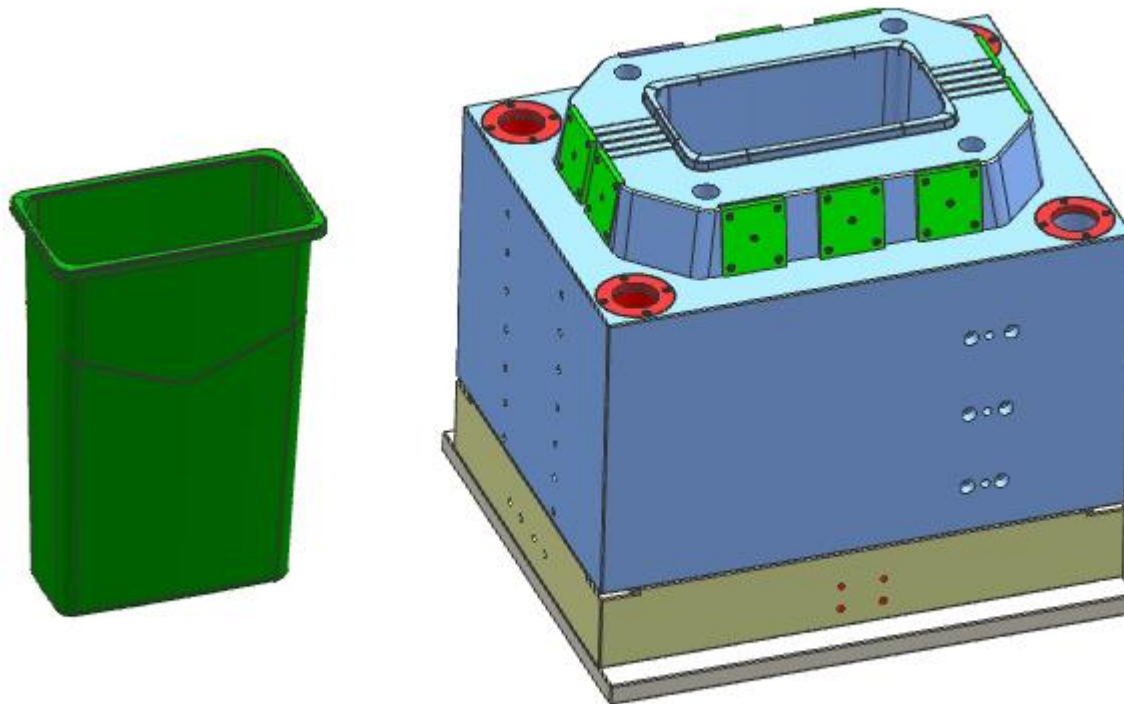
Longxiang Group Ltd.



2018-03-28



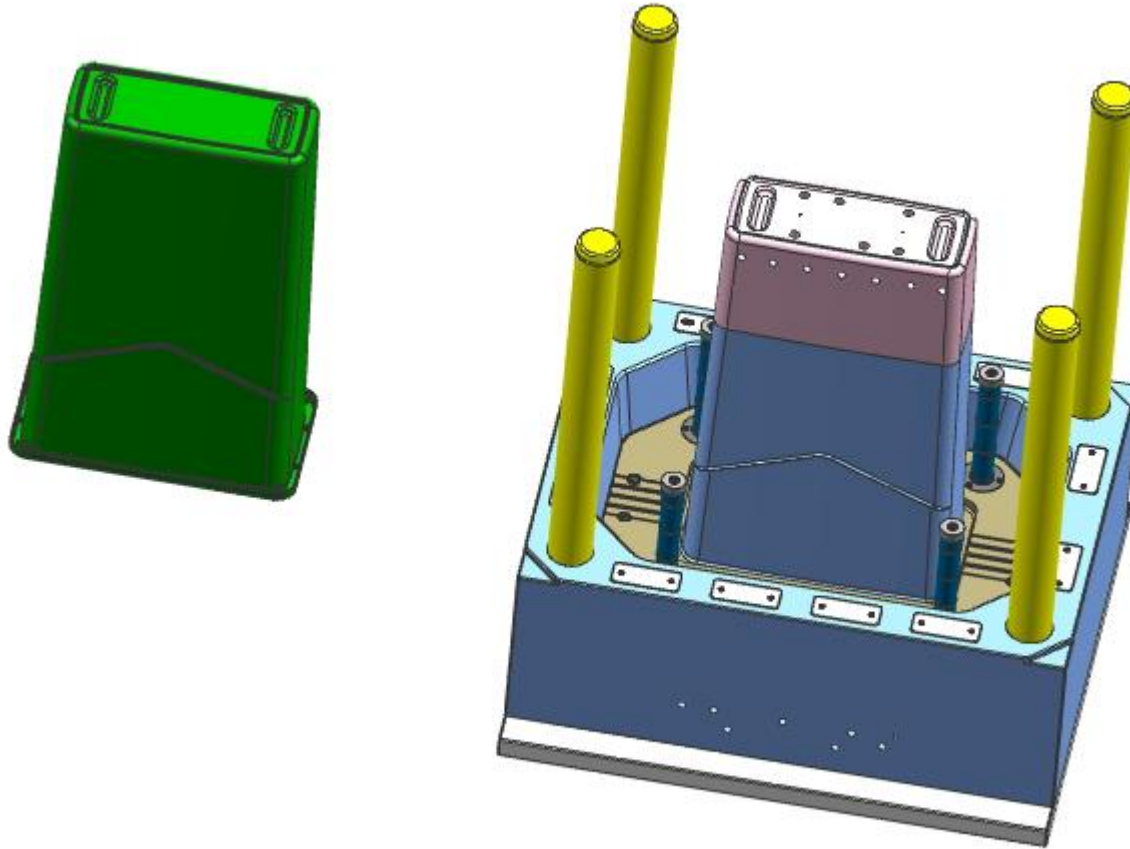
Longxiang Group Ltd.



2018-03-28



Longxiang Group Ltd.



2018-03-28



Longxiang Group Ltd.



2018-03-28



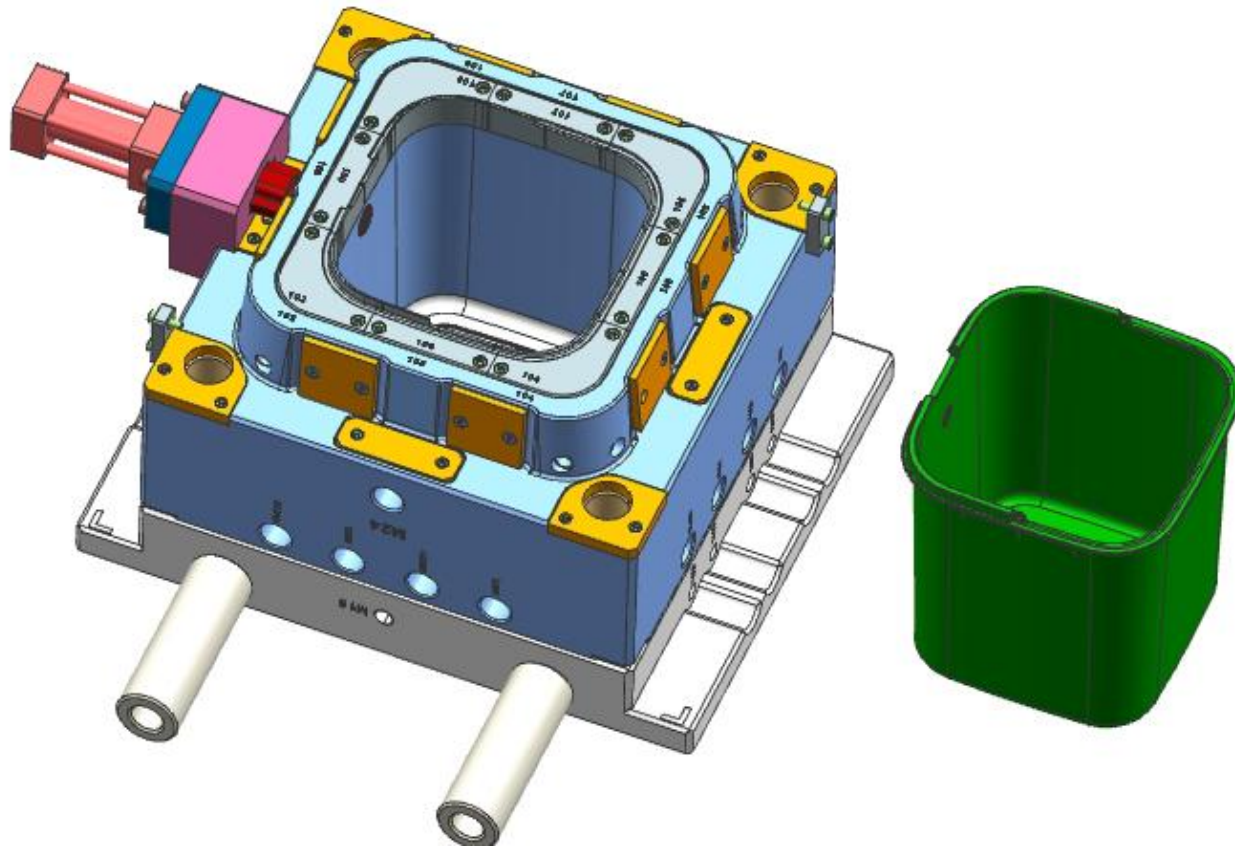
Longxiang Group Ltd.



2018-03-28



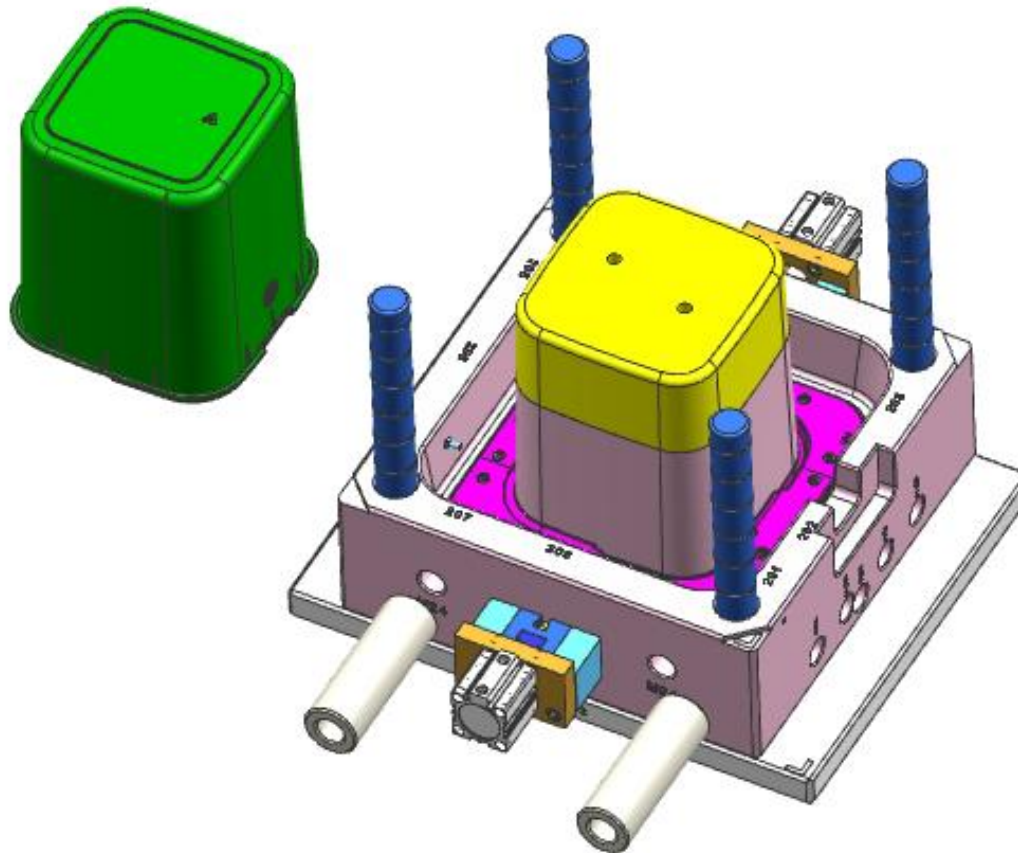
Longxiang Group Ltd.



2018-03-28



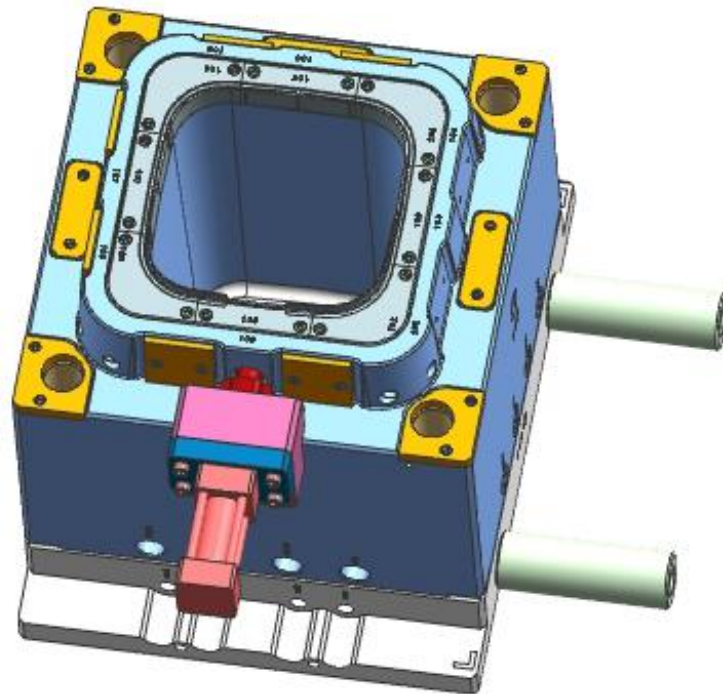
Longxiang Group Ltd.



2018-03-28

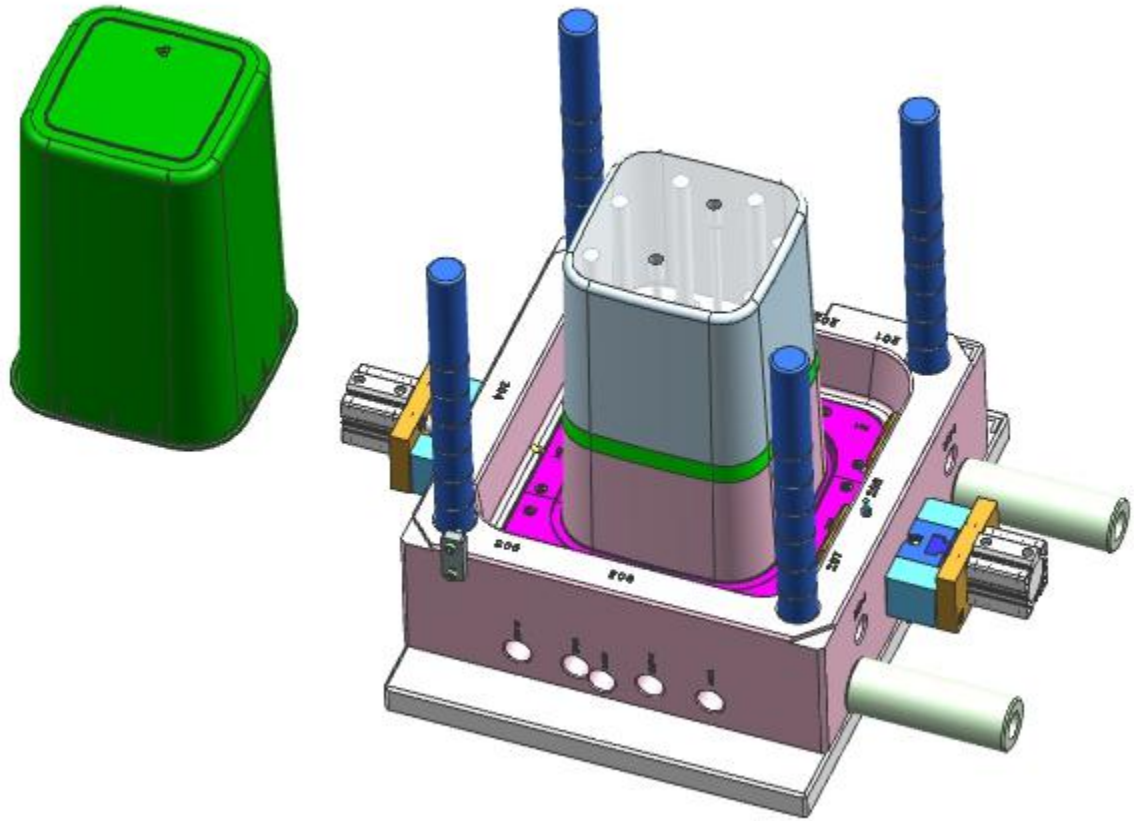


Longxiang Group Ltd.





Longxiang Group Ltd.



2018-03-28



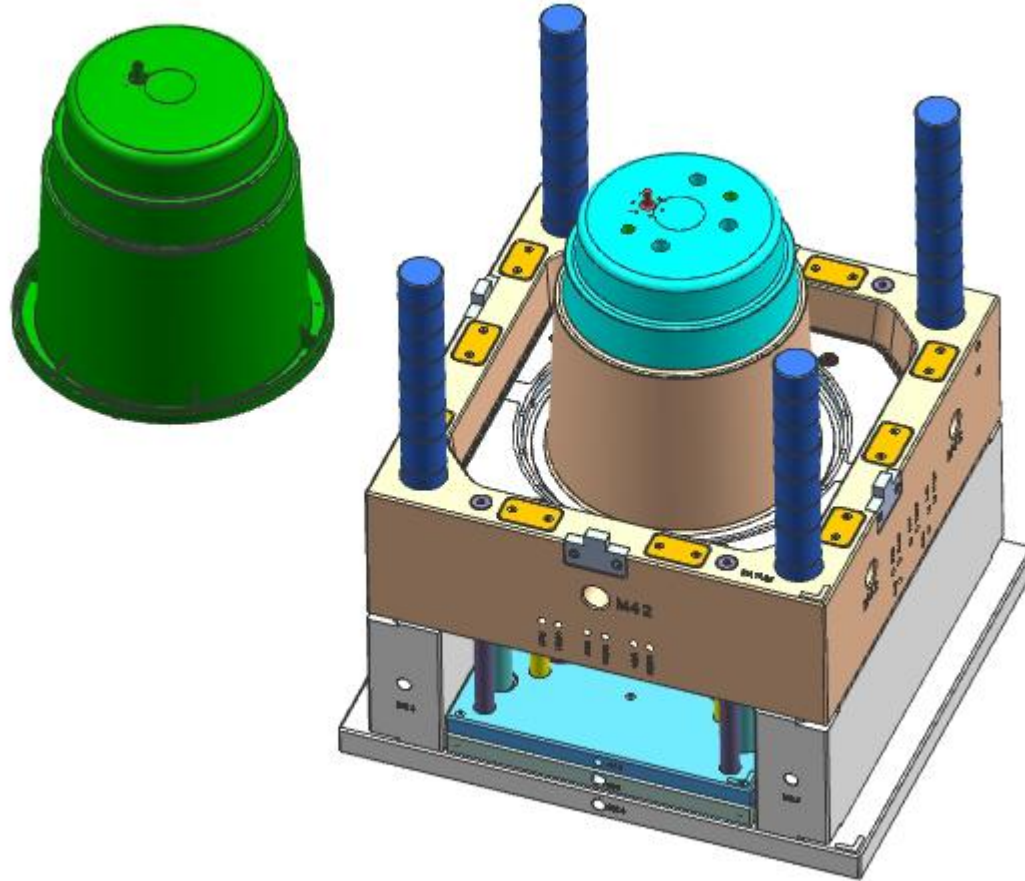
Longxiang Group Ltd.



2018-03-28



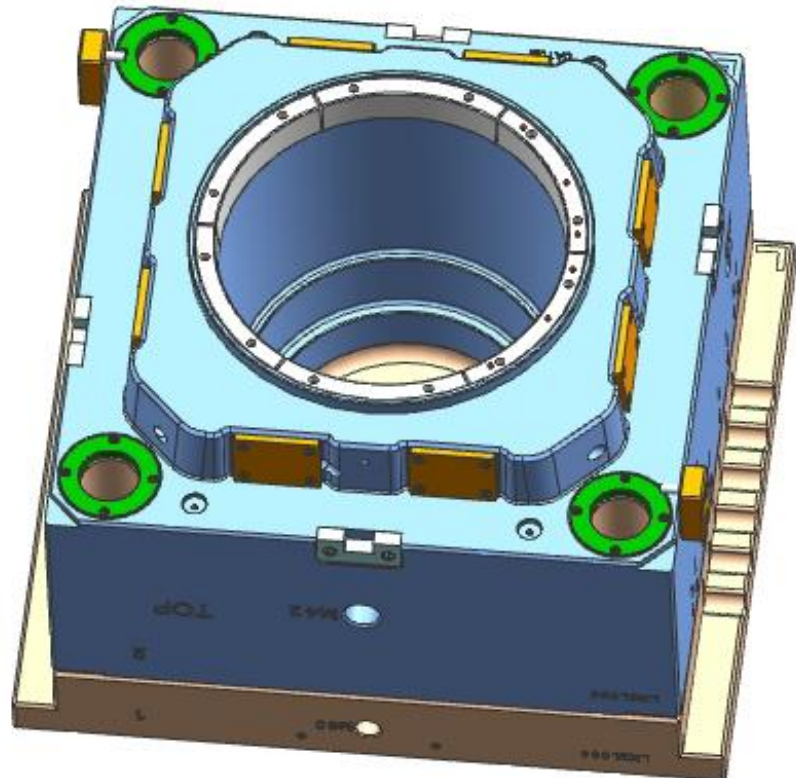
Longxiang Group Ltd.



2018-03-28



Longxiang Group Ltd.





Longxiang Group Ltd.

Why choose us?

We have rich experience to make garbage bin mold, with 100% make sure solve the core offset and uneven wall thickness problem

We are able to provide you with one stop service from prototype to injection tooling , until production parts !